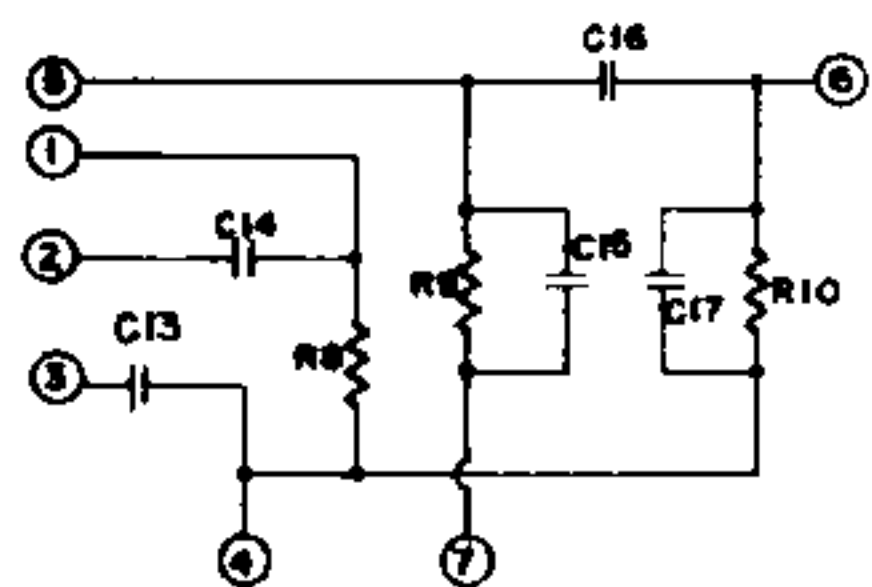
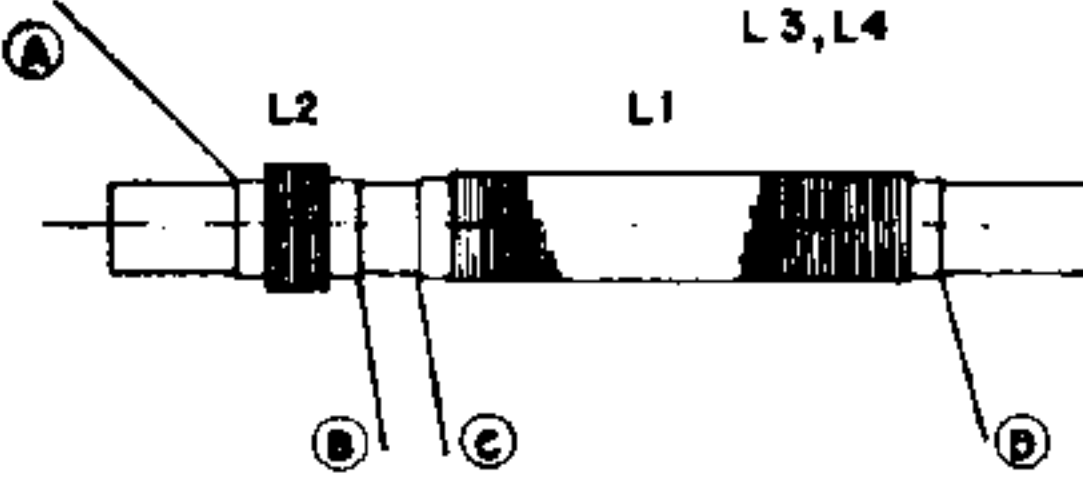
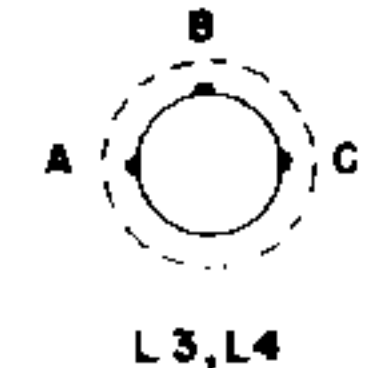
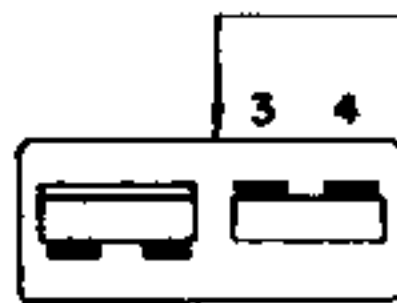


ARROW ← ON VOLUME CONTROL INDICATES CLOCKWISE ROTATION OF SHAFT.  
 ALL RESISTANCE VALUES ARE INDICATED IN OHMS  
 K=1000, MEG=1000,000.OHMS  
 CAPACITOR VALUES  $\text{---}|\text{---}|\text{---}$  SHOWN IN MICRO MICRO FARADS  $\text{---}|\text{---}$  SHOWN IN MICRO FARADS EXCEPT WHERE NOTED.  
 ALL DC VOLTAGES MEASURED WITH A 20,000 OHMS PER VOLT METER NO SIGNAL SUPPLIED.



\* MULTIPLE CAPACITOR - RESISTOR CONNECTIONS.

CODE NO. STAMPED ON THIS SIDE.



ALIGNMENT CHART

Operation Steps	SIGNAL GENERATOR		RECEIVER	
	Connections to Receiver	Frequency	Tuning Capacitor	Adjust in Stated Order for Maximum Output
1	To stator plates of gang C2 through 0.05 mf capacitor	455 Kc	Minimum	I. F. Transf. L7-L8-L5-L6
2	To Blue Lead on Antenna Rod through 200 mmf capacitor in series with a standard dummy *	1640 Kc.	Minimum	Oscillator Trimmer C6
3	To Blue Lead on Antenna Rod through 200 mmf capacitor in series with a standard dummy*	1500 Kc.	Tune in 1500 Kc.	Antenna Trimmer C2

\* or direct output of generator in series with a 100  $\mu$ F capacitor.

